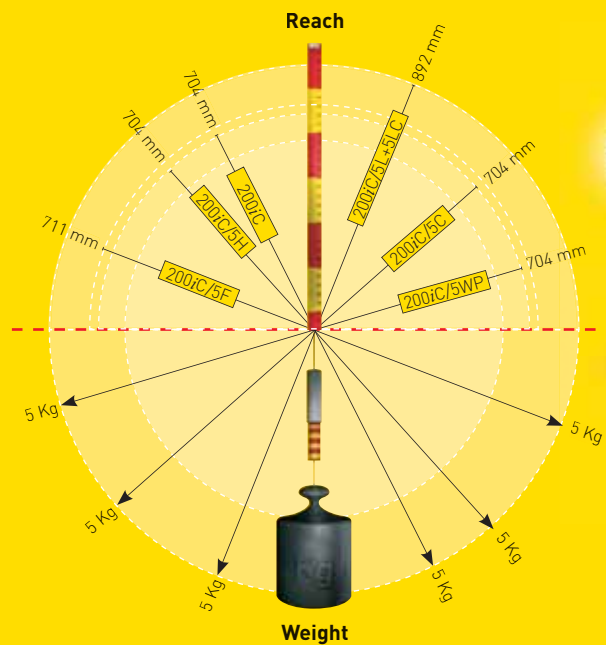


# LR MATE SERIES

4

	Robot model	Controller	Controlled axes	Max. load capacity at wrist [kg]	Repeatability [mm]	Mechanical weight [kg]	Reach [mm]	Motion range [°]						Maximum speed [°/s]						J4 Moment [Nm]/ Inertia [kgm <sup>2</sup> ]	J5 Moment [Nm]/ Inertia [kgm <sup>2</sup> ]	J6 Moment [Nm]/ Inertia [kgm <sup>2</sup> ]	IP Rating	
								J1	J2	J3	J4	J5	J6	J1	J2	J3	J4	J5	J6					
LR Mate	200iC	R-30iA Mate/ R-30iA Mate "Open Air"	6	5	± 0.02	27	704	340/360	200	388	380	240	720	350	350	400	450	450	720	11.9/0.3	11.9/0.3	6.7/0.1	IP67	
	200iC/5H		5	5	± 0.02	26	704	340/360	200	388	240	720	—	350	350	400	450	720	—	11.9/0.3	6.7/0.1	—		
	200iC/5H (High speed)		5	5	± 0.02	26	704	340/360	200	388	240	720	—	350	350	400	450	1200	—	11.9/0.3	4.0/0.036	—		
	200iC/5C		6	5	± 0.02	27	704	340/360	200	388	380	240	720	350	350	400	450	450	720	11.9/0.3	11.9/0.3	6.7/0.1		
	200iC/5WP		6	5	± 0.02	27	704	340/360	200	388	380	240	720	350	350	400	450	450	720	11.9/0.3	11.9/0.3	6.7/0.1		
	200iC/5F (2 <sup>nd</sup> food)		5	5	± 0.02	26	711	340/360	200	388	380	240	720	—	350	350	400	450	1200	—	11.9/0.3	4.0/0.036		—
	200iC/5L, 200iC/5LC		6	5	± 0.03	29	892	340/360	230	373	380	240	720	270	270	270	450	450	720	11.9/0.3	11.9/0.3	6.7/0.1		



The LR Mate robot series is available in a number of different models:

- LR Mate 200iC/5H (5 axes)
- LR Mate 200iC/5H (5 axes) high speed type
- LR Mate 200iC/5F (5 axes) 2nd food (with food grade grease & epoxy painted body)

- LR Mate 200iC (6 axes), Standard version
- LR Mate 200iC/5C (6 axes), Cleanroom class 100 version
- LR Mate 200iC/5WP (6 axes), Waterproof version
- LR Mate 200iC/5L (6 axes), Long arm version
- LR Mate 200iC/5LC (6 axes), Long arm, Cleanroom class 100 version

THE LR MATE ROBOT SERIES OFFERS THE SMALLEST MODELS WITHIN THE FANUC ROBOT RANGE, WITH UP TO 5KG PAYLOAD. THOSE ROBOTS ARE IDEAL FOR FAST AND PRECISE APPLICATIONS IN ALL ENVIRONMENTS. THEY RUN ON THE R-30iA MATE COMPACT CONTROLLER, WHICH REQUIRES MINIMUM SPACE.

## » FEATURES AND BENEFITS

### LR Mate Series, the optimum solution for:

- Machine loading / unloading
- Material handling
- Parts cleaning
- Assembly
- Testing and measuring
- Cutting, grinding, deburring, polishing
- Packaging
- Pick & place
- Packaging (including secondary food handling)
- Pick & place (including secondary food handling)

### INTEGRATED END EFFECTOR SERVICES

- Pneumatic and electric cabling to the valves placed near the flange, increasing system reliability
- Two standard integrated double acting air solenoids (3rd valve available as option)

### FLOOR, CEILING, ANGLE AND WALL MOUNT POSSIBLE

- Robot can be mounted on the floor and on the ceiling without any restrictions, angle and wall mounting possible (with restriction)
- Better use of space within envelope

### VERY HIGH THROUGHPUT LR MATE 200iC

- The LR Mate 200iC brings:
- Calculated TCP speed of more than 4 meters/sec

### SEALED MECHANICAL UNITS

- Robot can be mounted inside the machine tool
- Reduced installation costs

### "SEVERE DUST LIQUID PROTECTION (SDLP)" WITH COMPLETE IP67 AS STANDARD

Robot entirely IP 67: Dustproof and can be immersed in water

### FLIP OVER CAPABILITY

- Reduces cycle time
- Allows more flexible cell designs
- Allows several robots to work together in close proximity
- Full working envelope when robot mounted upside down
- No interference with robot itself

### HOLLOW JOINT CONSTRUCTION FOR REDUCERS

- Allows cable routing to reduce wear
  - Reduced maintenance
  - Lower lifetime costs
  - Increased uptime
  - Higher productivity

### COMPACT ROBOT DESIGN

- Easy to integrate into a work cell
- Reduced floor space
- Less interference area
- Reduced investment

### SMALL COMPACT CONTROLLER

R-30iA Mate as standard

### MOTORS DIRECTLY COUPLED TO THE REDUCER

- Simplified mechanical unit
- Reduced breakdown risk
- Compact and reliable solution
- High accuracy and minimum backlash

### LR MATE 200iC/5H: COST-EFFECTIVE 5-AXES UNIT

The LR Mate 200iC/5H offers a cost-effective solution for every application where axis J4 of the LR Mate 200iC is not necessary.

### LR MATE 200iC/5C AND LR MATE 200iC/5LC: CLEANROOM VERSION

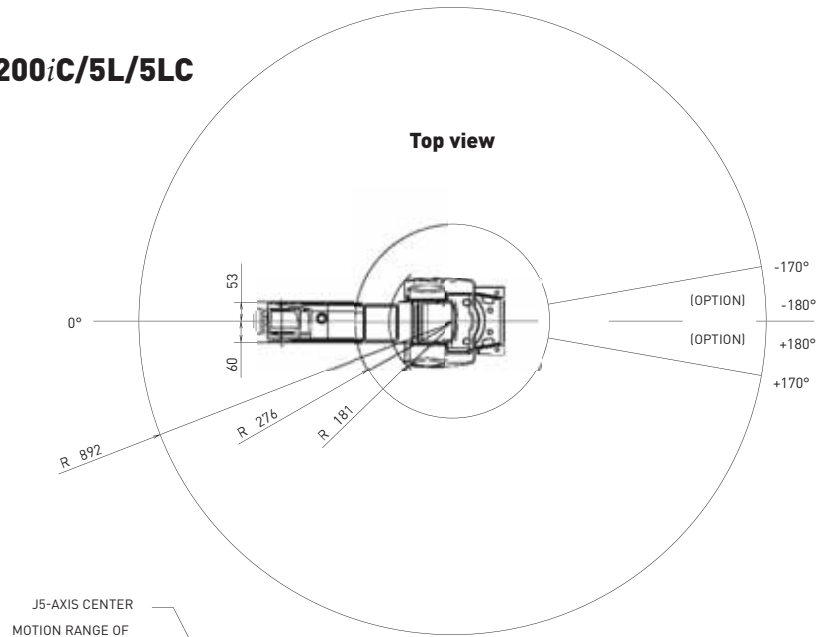
- Special treatments for cleanroom (color, covers, bolts, seals, etc)
- Changing solenoid valves and air joints to cleanroom type
- Exhaust port for solenoid valves on J1 base
- Features cleanroom class 100



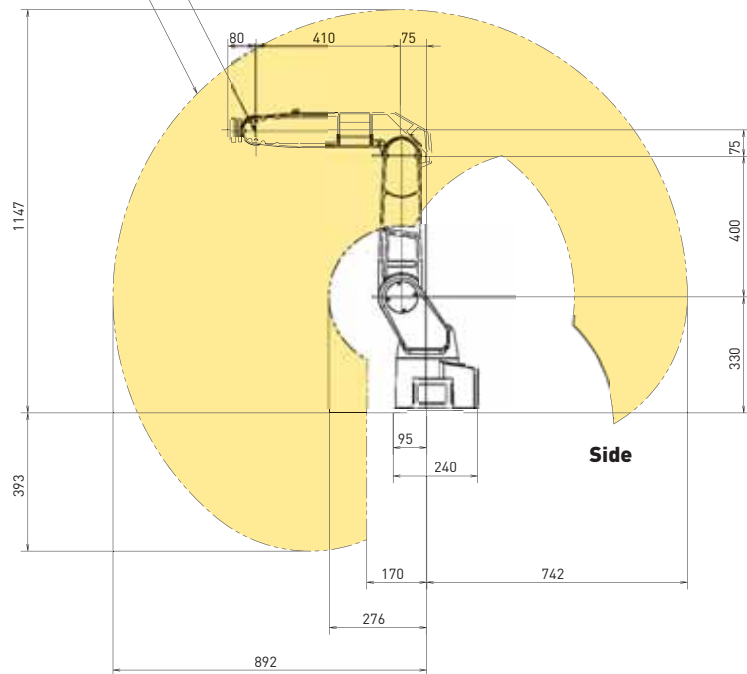
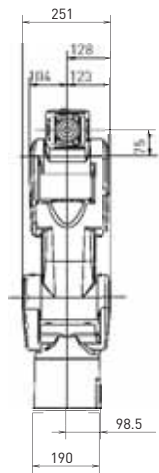


# Dimensions

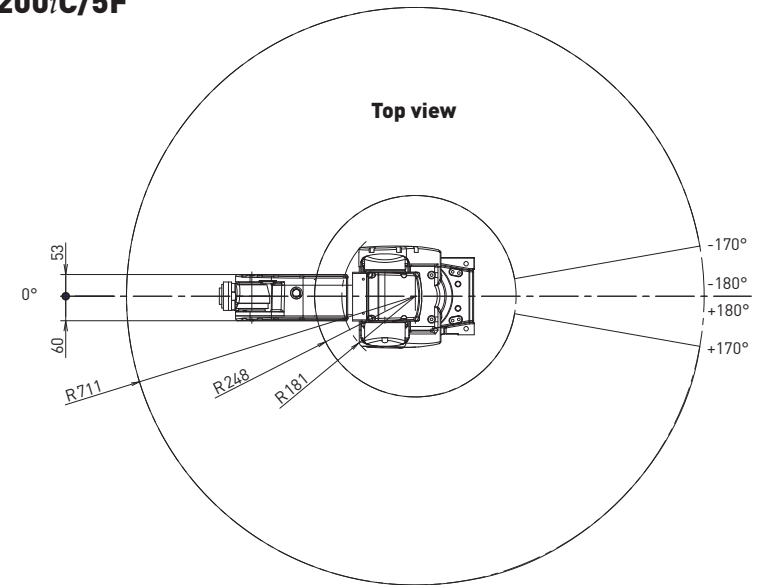
**LR Mate 200iC/5L/5LC**



J5-AXIS CENTER  
MOTION RANGE OF  
J5-AXIS CENTER



**LR Mate 200iC/5F**



J5-AXIS CENTER

MOTION RANGE OF  
J5-AXIS CENTER

